

BCH CITATION STARTERS



BCH ELECTRIC LIMITED

Starters

A Range of Starters

BCH manufactures a wide range of motor starters to suit every application in the field. The capacity starts from fractional horse power to 250 hp completely assembled ready to use units with built in overload and single phasing protection.

Mini Manual Starter

Direct-On-Line, manually operated, Mini Starter is designed for non-reversing control of all types of squirrel cage motors with an intermittent duty of 15 starts per hour (utilisation category AC3) complying with performance requirements of IS 8544 Part I. It is capable of switching motors upto 10HP, 415V, 3Phase or 3HP single phase. The starter unit comprises of a double break, on load switch operated by means of a toggle link mechanism. Adjustable bimetal thermal overload trips are included which can be set to follow closely the heating characteristics of the motor.



Characteristics

Utilisation category	AC 3 as per IEC 292-1 and IS 8544 Part I
Insulation Voltage	600V
Thermal rating	20A
Operational current	16A at 415V
Frequency of operation	15 operation per hour
AC3 rating	16A at 415V, 50Hz
Mechanical life	1 x 10 ⁵
Enclosure category	Sheet steel enclosure to IP 51 as per IS 2147
Thermal capacity	One cable of 6 mm ² or two cables of 4 mm ²

Selection Chart

RECOMMENDED HP (KW)				RELAY RANGE AMPS	CATALOGUE** CODE		RECOMMENDED FUSE (AMPS)
3 PHASE 415V		SINGLE PHASE 230V			3 PHASE	1 PHASE	
HP	KW	HP	KW				
				0.23 - 0.47	AMLE 10	AMLE 10-SP	2
				0.46 - 0.8	AMLE 20	AMLE 20-SP	2
0.5	0.37	1/6	0.095	0.85 - 1.55	AMLE 30	AMLE 30-SP	6
0.75	0.52						
1.0	0.75	1/6	0.13	1.60 - 3.20	AMLE 40	AMLE 40-SP	10
1.5	1.10						
3.0	2.20	0.5	0.37	3.50 - 6.50	AMLE 50	AMLE 50-SP	20
		0.75	0.52				
5.0	3.70	1.0	0.75	6.80 - 11.70	AMLE 60	AMLE 60-SP	25
		2.0	1.50				
10	7.5	3.0	2.20	11.00 - 12.00	AMLE 70	AMLE 70-SP	50

** Substitute E by C for flush mounting.

Citation M Starters

Contactor

The contactors used in starters are NHD and Citation. They are built to IS 63947 and have many distinctive features such as :

- High grade moulding which reduces tracking and prolong operational life.
- Precision ground magnet frame and armature surfaces ensure consistent quiet operation.
- Exposed metals are treated for corrosion resistance.
- Low bounce and weld resistant contacts of silver cadmium oxide.
- Contactors can be inspected and maintained without disturbing adjacent wiring or altering contractor mounting positions.
- Coil is totally encapsulated in resin resisting moisture, corrosive atmosphere and damage while handling.
- Mechanical interlocking is provided between Star and Delta contractors in case of Starter ratings 40HP and above.



Overload Relay

Overload Protection : The relay fitted in the starter protects the motor from operational overload as per relevant standards established for the protection of motors. The range of current setting on any relay is between 100% to 160% of its minimum setting.

Single Phasing Protection : The relay offers protection against single phasing through its sensitive differential mechanism in excess of the requirements of ISI specification 63947-4-1 and trips when it carries in healthy phases 0.9 times the minimum current setting, regardless of the value to which the current adjustment lever is set. Full protection is provided on single phasing under varying operational up to 50% of the full load rating of the motor. No protection is required below this value.

Protection against unbalance voltage : The relay allows minor imbalance in voltage conditions in the three phases within the limits motors are designed to withstand. Beyond these limits, the relay trips and protects the motor.

- Excellent temperature compensation between -10° C and +80° C (+55° C max. ambient).
- Facility for selection of either manual or automatic resetting of the trip switch.
- Snap-on cover to prevent inadvertent alteration to the setting of current adjustment or to the hand/auto lever.
- Test facility for tripping relay manually for checking of the circuit and wiring.

Automatic Time Delay Relay

The Time Delay Relay used in Automatic Star Delta Starter has superb repeat accuracy, gives satisfactory performance in frequent starting applications. It resets fast and the timing is not affected by variation in ambient temperature and voltage.

Single Phase Motor Starter (with 2 Pole Contactor+2 Pole Relay)

KW	HP	Overload	Contactor	Cat. No.
0.55	0.75	3.8 - 6.0	16A	NAHBW-SP
0.75	1	6.0 - 9.3	16A	NAJBW-SP
1.1	1.5	8.9 - 13.5	16A	NAKBW-SP
1.5	2	13.2 - 20.0	25A	NALBW-SP
2.2	3	17.4 - 24.0	25A	NAMBW-SP

Selection Chart - DOL

MOTOR OUTPUT 415V 3 PHASE 50Hz		OVERLOAD RELAY RANGE AMPERES	CONTACTOR SIZE	STARTER CATALOGUE CODE	BACKUP PROTECTION HRC FUSE TYPE GII/GL (AMP)
KW	HP				
0.37	0.5	0.72 - 1.14	00	NADLEN	4
0.55	0.75	1.07 - 1.7	00	NAELEN	6
0.75	1.0	1.58 - 2.5	00	NAFLEN	10
1.50	2.0	2.4 - 3.8	00	NAGLEN	16
2.20	3.0	3.8 - 6.0	00	NAHLEN	20
3.70	5.0	6.0 - 9.3	00	NAJLEN	25
5.50	7.5	8.9 - 13.5	00	NAKLEN	35
7.50	10.0	13.2 - 20.0	00	NALLEN	50
10.0	12.5	17.4 - 24.0	CP20	NALLEN/MOR	50
11.0	15.0	17.4 - 24.0	0	NAMLEN	63
11.0	15.0	17.4 - 24.0	01	NAPLEN/MOR	63
15.0	20.0	23.0 - 32.0	01	NAPLEN	63
15.0	20.0	22.0 - 30.0	1	NANLEN	63
18.5	25.0	24.4 - 39.0	1	NACT1LEN	80
22.0	30.0	37.6 - 60.0	D	NACT2LEDM	100
30.0	40.0	37.6 - 60.0	E	NACT2LEEM	125

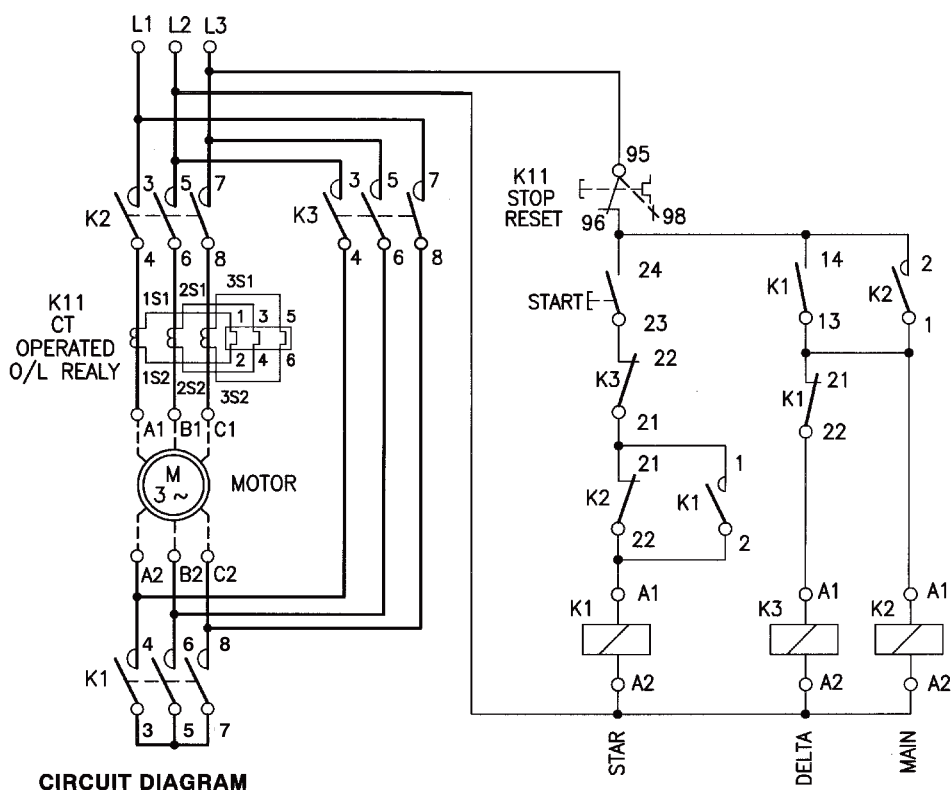
DOL Reversing Starter in SS Enclosure (with 380 - 415V Coil)

MOTOR OUTPUT 415V 3 PHASE 50Hz		OVERLOAD RELAY RANGE AMPERES	CONTACTOR SIZE	STARTER CATALOGUE CODE	BACKUP PROTECTION HRC FUSE TYPE GII/GL (AMP)
KW	HP				
0.75	1.00	1.58 - 2.5	00	NARFLEN	10
1.50	2.00	2.4 - 3.8	00	NARGLEN	16
2.20	3.00	3.8 - 6.0	00	NARHLEN	20
3.70	5.00	6.0 - 9.3	00	NARJLEN	25
5.50	7.50	8.9 - 13.5	00	NARKLEN	35
7.50	10.0	13.2 - 20.0	0	NARLLEN	50
11.0	15.0	17.4 - 24.0	1	NARMLLEN	63
15.0	20.0	22.0 - 30.0	1	NARNLEN	63

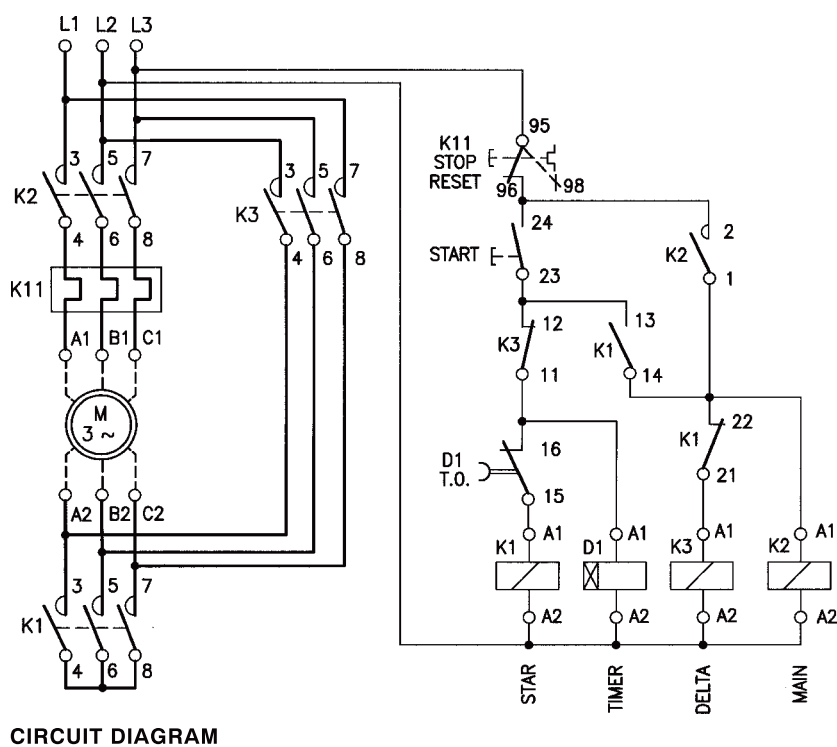
Selection Chart - Star Delta

MOTOR OUTPUT 415V (3 PHASE 50Hz.)		OVERLOAD RELAY RANGE AMPERES (PHASE CONNECTED)	CONTACTOR SIZE	CATALOGUE CODE		BACKUP PROTECTION HRC FUSE TYPE GII/GL (AMP)
KW	HP			AUTOMATIC STAR DELTA STARTER	SEMI-AUTOMATIC STAR DELTA STARTER	
2.2	3.0	2.4 - 3.8	00	NASAGLEN	NASSGLEN	10
3.7	5.0	3.8 - 6.0	00	NASAHLEN	NASSHLEN	16
7.5	10.0	6.0 - 9.3	00	NASAJLEN	NASSJLEN	20
11.0	15.0	8.9 - 13.5	00	NASAKLEN	NASSKLEN	36
11.0	15.0	8.9 - 13.5	00	NASAKLEN/LOR	NASSKLEN/LOR	36
15.0	20.0	13.2 - 20.0	0	NASALLEN	NASSLLEN	36
18.5	25.0	17.4 - 24.0	0	NASAMLEN	NASSMLLEN	50
26.0	35.0	23.0 - 32.0	0	-	NASSPLEN	50
26.0	35.0	23.0 - 32.0	01	NASA01PLEN	NASS01PLEN	50
26.0	35.0	22.0 - 30.0	1	NASANLEN	NASSNLEN	50
30.0	40.0	24.4 - 39.0	01	-	NASS01CT1LEN	63
30.0	40.0	24.4 - 39.0	1	NASACT1LEN	-	63
30.0	40.0	24.4 - 39.0	D	NASACT1LEDM	-	63
37.0	50.0	37.6 - 60.0	D	NASACT2LEDM	-	80
55.0	75.0	37.6 - 60.0	E	NASACT2LEEM	-	100
65.0	85.0	56.4 - 90.0	E	NASACT3LEEM	-	125
75.0	100.0	56.4 - 90.0	M5	NASACT3LEC5M	-	125
100	135	84.6 - 135.0	M5	NASACT4LEC5M	-	200
110.0	150.0	84.6 - 135.0	N	NASACT4LENM	-	200
185	200	131.6 - 210.0	S	NASACT5LEC6M	-	250
280	375	188.0 - 300.0	S	NASACT6LEC6M	-	300

SEMI-AUTOMATIC STAR-DELTA STARTER WITH CT OPERATED OVERLOAD RELAY

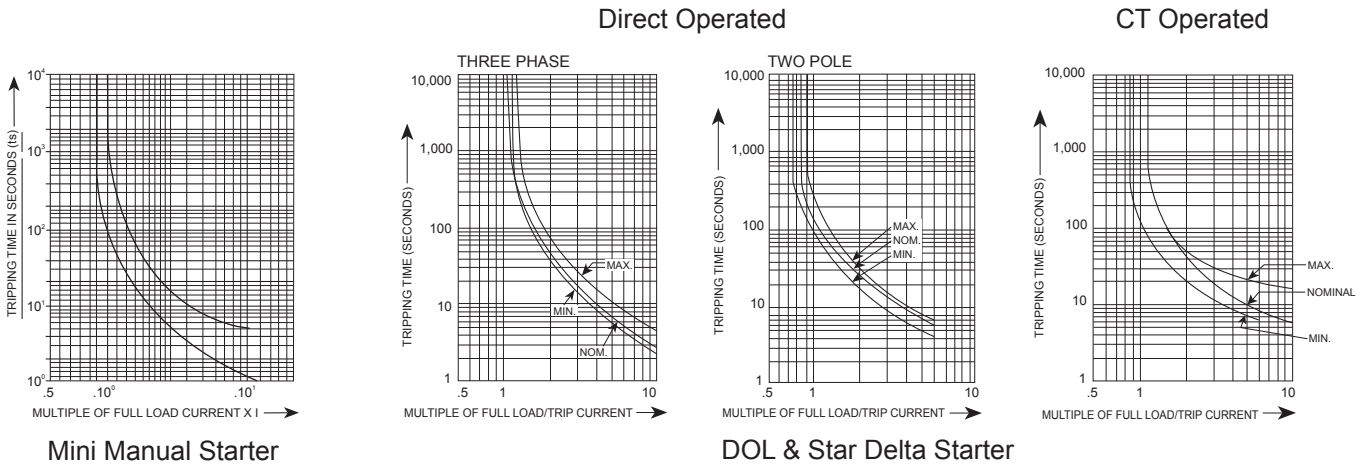


AUTOMATIC STAR DELTA STARTER WITH DIRECT OPERATED OVERLOAD RELAY UP TO 35 HP



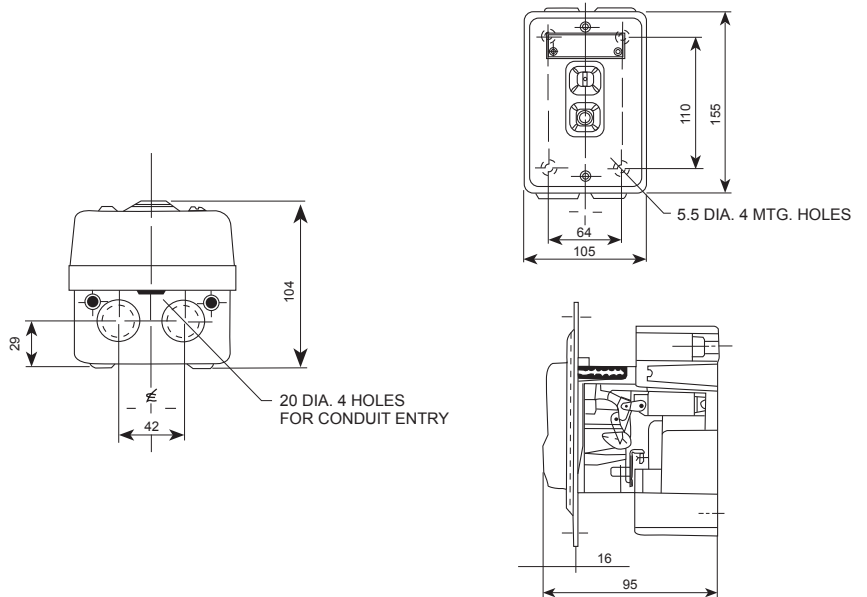
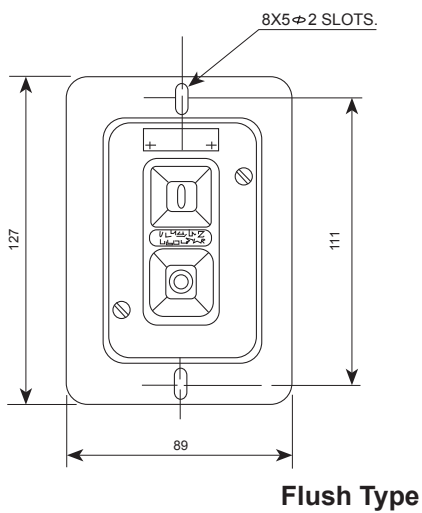
Starters

Tripping Characteristics

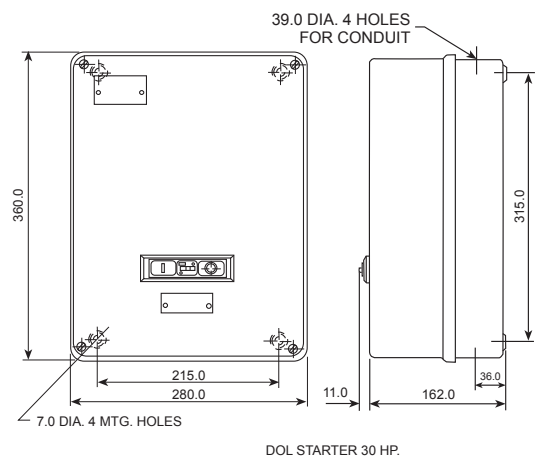
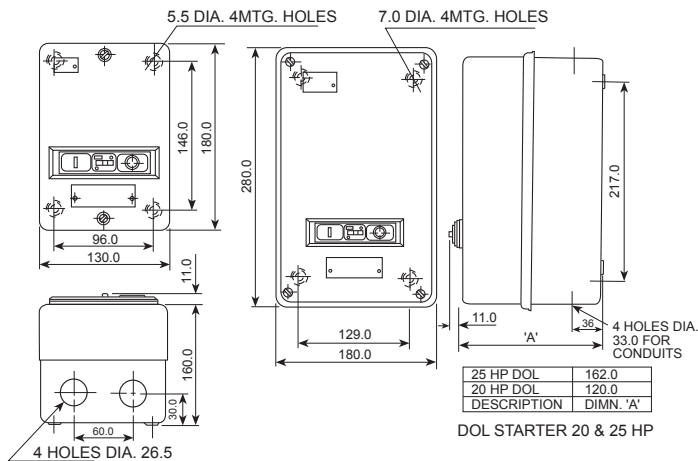


Dimensions (mm)

MINI MANUAL STARTER



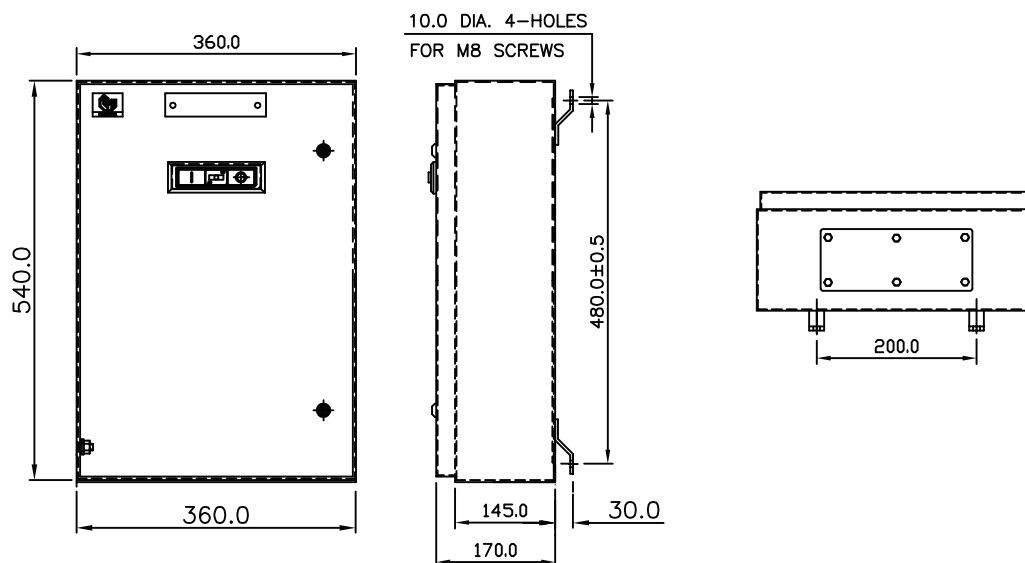
DIRECT-ON-LINE STARTER



FOR CONDUITS

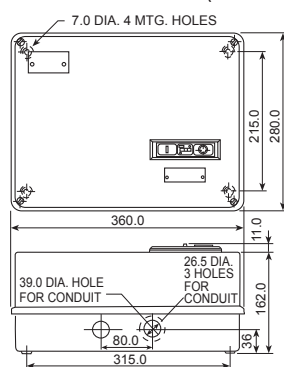
DOL STARTER UPTO 40HP

FOR RELAY RANGE 37.6–60A

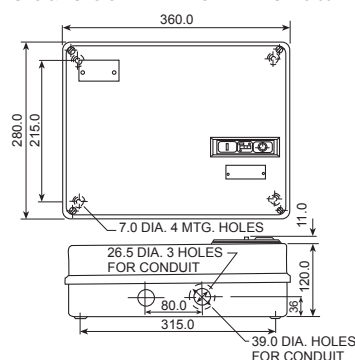


STAR DELTA STARTER

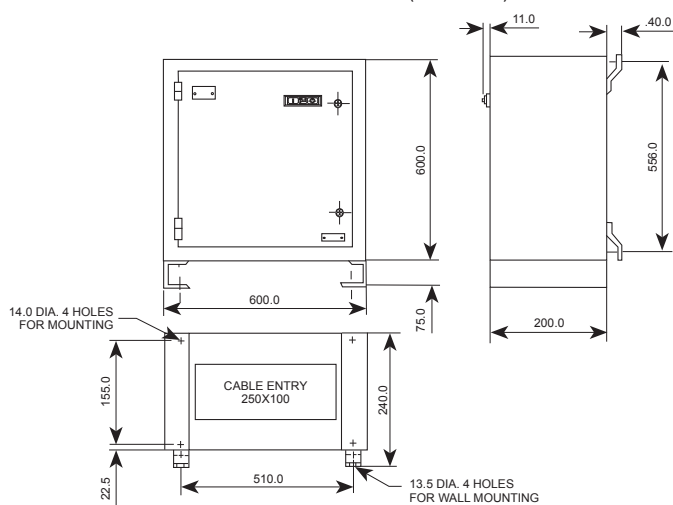
STAR DELTA STARTER 40 HP (WITH NHD1)



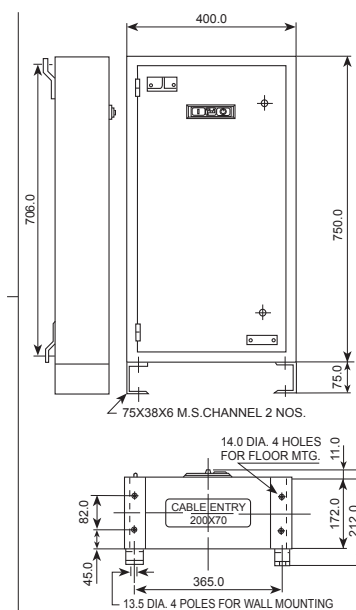
SEMI AUTO & AUTO STAR DELTA STARTER UPTO 35HP



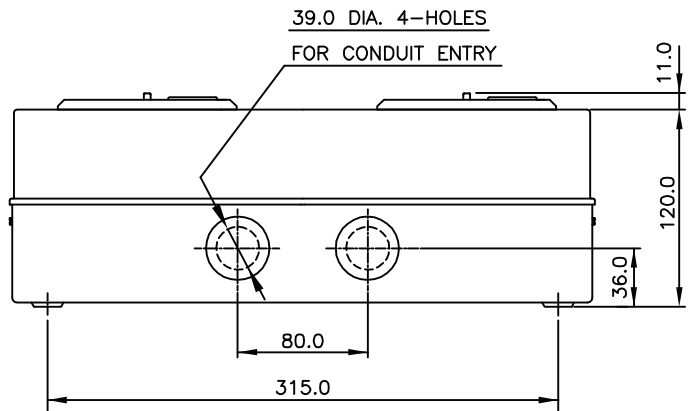
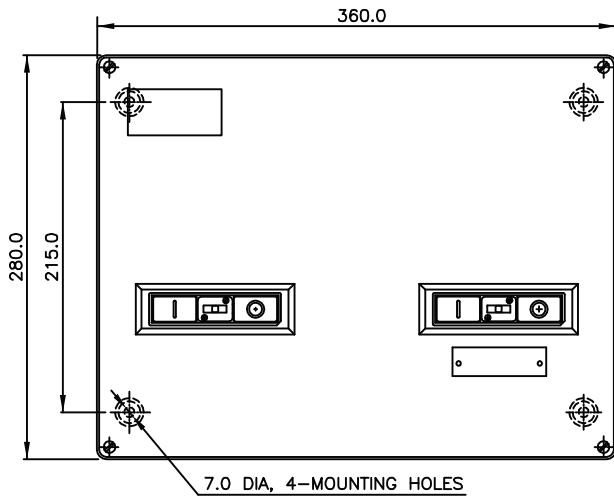
AUTO STAR DELTA STARTER 90/70 HP (WITH SIZE-E)
AND 100/150HP (WITH SIZE-M5)



40 & 50 HP AUTO STAR DELTA STARTER (WITH SIZE-D)



REVERSING DOL



BCH ELECTRIC LIMITED

Visit us at : www.bchindia.com

Corporate Office : 1105, New Delhi House, 27, Barakhamba Road, New Delhi - 110 001 Tel. : 91-11-23316029/3610/6539/43673100 Fax : 91-11-23715247

CIN : U31103WB1965PLC026427, Customercare No. 1800-103-9262, E-mail : marketing@bchindia.com

Registered Office : Block 1E, 216, Acharya Jagadish Chandra Bose Road, Kolkata - 700 017

Works 1 : 20/4, Mathura Road, Faridabad - 121 006 (Haryana) Tel. : 0129-4063000/4293000 Fax : 0129-2304016

Works 2 : 64-68, Sector-7, IIE, Pant Nagar, Rudrapur, Udham Singh Nagar - 263 153 (Uttarakhand) Tel. : 05944-250214/16 Fax : 05944-250215

Sales Offices :

Ahmedabad
93, City Centre,
Near Swastik Char Rasta,
C.G. Road, Navrangpura,
Ahmedabad- 380 009.
Tel. : 079-26565719/40074482
Fax : 079-26565719
E-mail : ahmedabad@bchindia.com

Bangalore
B.M.H. Complex, 2nd Floor,
No. 22, Kengal Hanumanthiah Road,
Bangalore - 560 027
Tel. : 080-22273478/41144878/41144879
Fax : 080-22236759
E-mail : bangalore@bchindia.com

Chandigarh
SCO 121-22-23, 1st Floor,
Sector 34-A, Chandigarh - 160 022
Tel. : 0172-5078957/2666122
Fax : 0172-5049905
E-mail : chandigarh@bchindia.com

Chennai
Flat No. 3A, 3rd Floor,
Sree Apartments,
No.508, TTK Road,
Alwarpet, Chennai 600 018
Tel. : 044-24337046, 24337047
Fax : 044-24337047
E-mail : chennai@bchindia.com

Coimbatore
87, Dr. Nanjappa Road,
Coimbatore - 641 018
Tel. : 0422-2305311
Fax : 0422-2302599
E-mail : coimbatore@bchindia.com

Dehradun
8, Co-operative Industrial Estate,
Patel Nagar, Dehradun-248001
E-mail : dehradun@bchindia.com

Faridabad
20/4, Mathura Road,
Faridabad - 121 006 (Haryana)
Tel. : 0129-2304016
E-mail : faridabad@bchindia.com

Hyderabad
1-8-303/48/13/102, Arya One,
2nd Floor, P. G. Road,
Secunderabad - 500 003
Tel. : 040-66206263/27890306
Fax : 040-66207273
E-mail : hyderabad@bchindia.com

Indore
330-331, Indraprastha Tower,
3rd Floor, 6, M.G. Road,
Indore - 452 001
Tel. : 0731-2510011
Fax : 0731-2510012
E-mail : indore@bchindia.com

Jaipur
25, Hathroi, Gopalbari,
Jaipur - 302 001
Tel. : 0141-5104521
Fax : 0141-2363521
E-mail : jaipur@bchindia.com

Jamshedpur
3rd Floor, Aastha Trade Centre,
'Q' Road, Bistupur,
Jamshedpur - 831 001
Tel. : 0657-2321097/2321481
E-mail : jamshedpur@bchindia.com

Kolkata
Block 1E, 216,
Acharya Jagadish Chandra Bose Road,
Kolkata - 700 017
Tel. : 033-22871728
E-mail : kolkata@bchindia.com

Lucknow
Madan Plaza, 3rd Floor,
14, Station Road,
Lucknow - 226 001
Tel. : 0522-4025997/4025997
Fax : 0522-4025997
E-mail : lucknow@bchindia.com

Ludhiana
S.C.O.- 18, 2nd Floor,
Feroze Gandhi Market,
Ludhiana - 140 001
Tel. : 0161-5021807/5022808
Fax : 0161-5021807
E-mail : ludhiana@bchindia.com

Mumbai
A-151, Mittal Tower,
Nariman Point,
Mumbai - 400 021
Tel. : 022-22822947/22850162
Fax : 022-22822958
E-mail : mumbai@bchindia.com

Nagpur
Flat No. T/12, 3rd Floor
Baldeo Apartment,
Behind Railway Station, Bajeria
Nagpur (M.S.) - 440018
E-mail : nagpur@bchindia.com

New Delhi
801, Akash Deep Building,
26A, Barakhamba Road,
New Delhi - 110 001
Tel. : 011-23313878/66307065
Fax : 011-23739230
E-mail : delhi@bchindia.com

Pune
8, Sarosh Bhavan,
16-B/1, Dr. Ambedkar Road,
Pune - 411 001
Tel. : 020-26052590
Telefax : 020-26135224
E-mail : pune@bchindia.com

Raipur
2nd Floor, Building No. B-234,
Indira Gandhi Vyavasayik Parisar,
Pandi, Raipur - 492 004
Tel. : 0771-4020213
Fax : 0771-2582680
E-mail : raipur@bchindia.com

Trichy
Kingstone Park, 2nd Floor,
19/1, Puthur High Road,
Ramalinga Nagar,
Trichy - 820 017
Tel. : 0431-4040497
E-mail : trichy@bchindia.com

Vadodara
301, Third Floor, "Florence Classic",
10, Ashapuri Co-Op. Hsg. Soc. Ltd., Opp. VUDA Housing,
Near Cow Circle, Akota, Vadodara - 390 020
Tel. : +91-265-6548444/2345068/2345069
Telefax : 0265-2345068,
E-mail : vadodara@bchindia.com

Other Branch Locations

Bhubaneswar : bhubaneswar@bchindia.com, **Cochin :** cochin@bchindia.com, **Gurgaon :** gurgaon@bchindia.com, **Guwahati :** guwahati@bchindia.com, **Hospet :** hospet@bchindia.com,
Hubli : hubli@bchindia.com, **Madurai :** madurai@bchindia.com, **Vishakapatnam :** vizag@bchindia.com, **Surat :** surat@bchindia.com

Resident Engineer Locations

Baddi	Gurgaon	Madurai	Rajahmundry
Bardhaman	Haridwar	Muzaffarnagar	Salem
Bhilai	Hubli	Nagpur	Surat
Bhubaneswar	Hospet	Nashik	Udaipur
Cochin	Jodhpur	Patna	Vapi
Dehradun	Kakinada	Puducherry	Vishakhapatnam
Durgapur	Kota	Rajkot	Warangal

Since product improvement is a continuous process, the data furnished in this brochure may undergo revision without prior notice.